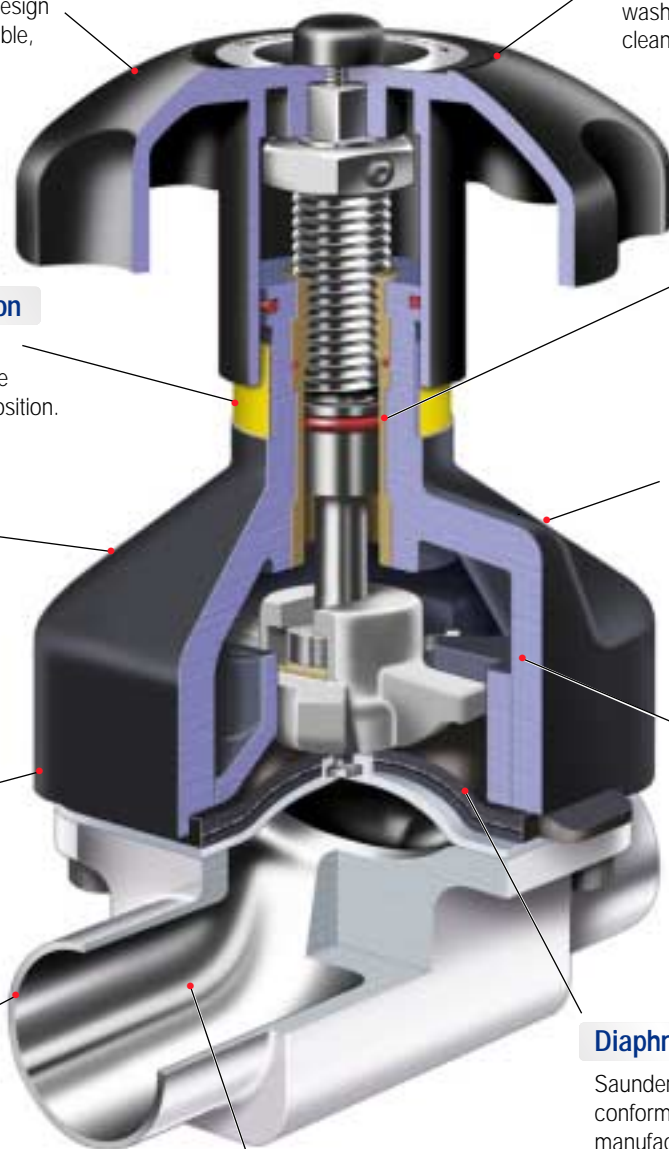


Saunders Diaphragm Valve Features

For Aseptic Applications



Modular Options

Alternative modular options available including padlocking facility, proximity sensors and limit open stop versions.

Handwheel

High integrity handwheel with ergonomic design ensures comfortable, precise control.

Contoured

Contoured design to optimise external washdown and cleanability.

Position Indication

Highly visible from a distance with positive indication of valve position.

Sealed Bonnet

'O' Ring sealed bonnet as standard to prevent ingress from external environment.

FDA Conforming

Both PES bonnet shell and internal components are fully FDA conforming.

Performance Bonnet Assembly

Polyethersulphone (PES) suitable for wash-down with detergents, sodium hydroxide, hypochlorite, alcohols, dilute acids and autoclaving at up to 160°C.

Top Entry

Designed for in-line maintenance essential for welded systems.

Shrouded

Shrouded bonnet construction covers body fasteners for clean exterior profile. ^{EV (DA)}

End Connections

Body is machined from single forging with integral ends. Butt weld ends have sufficient turnback for orbital weld installation.

Diaphragms

Saunders unique FDA/USP conforming diaphragms are all manufactured from raw polymer in-house. All diaphragms are fully traceable back to physical characteristics of the rubber blend.

Forged Bodies

All aseptic valve bodies are profiled for low turbulence flow. Forged in 316L/1.4435 stainless steel to maximum ferrite content level 0.5%. Cavity free design eliminates entrapment areas and enhances diaphragm life.