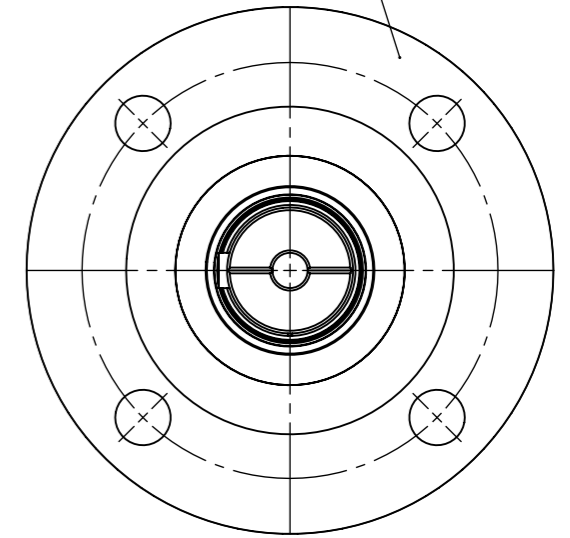
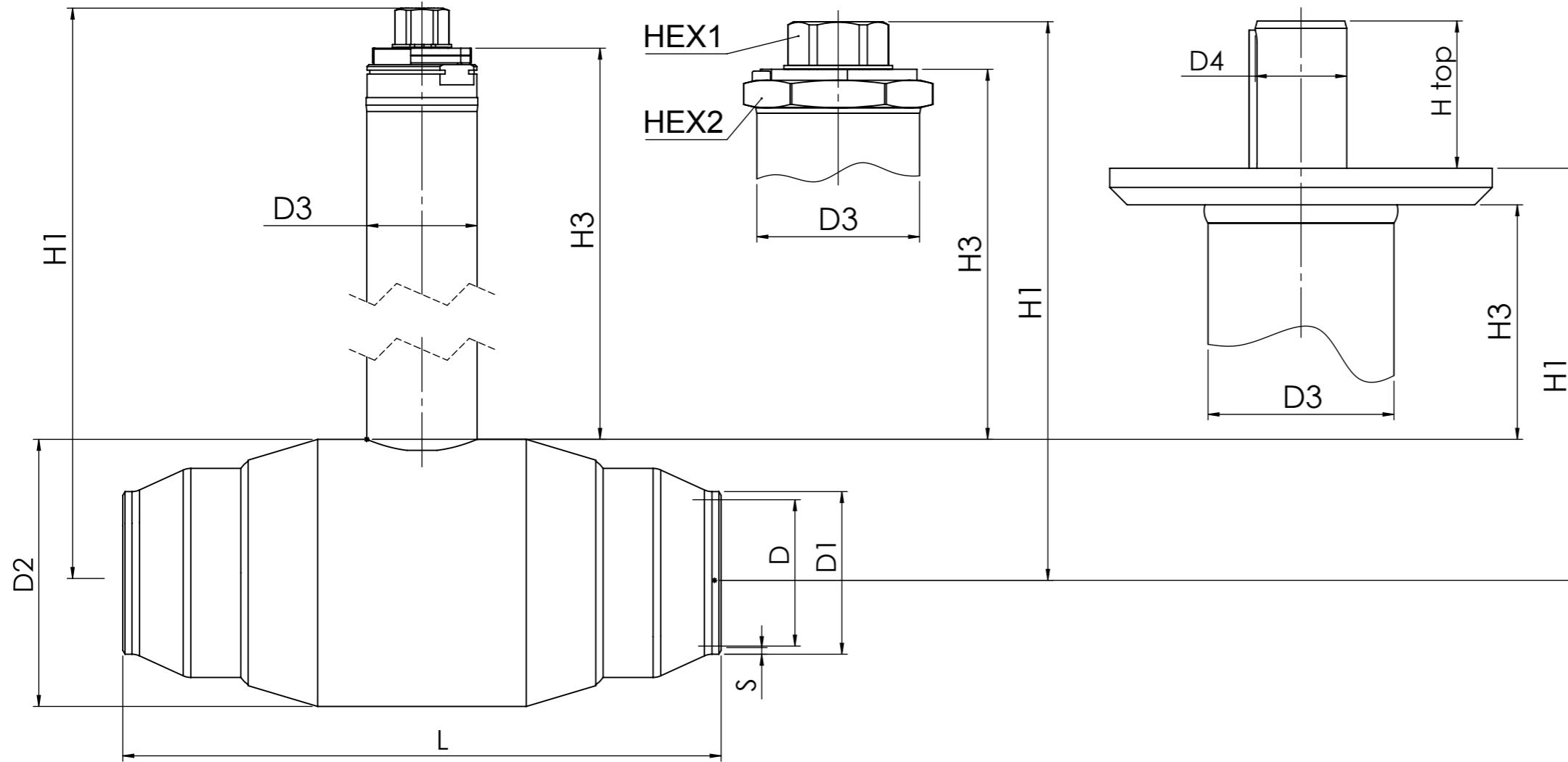


DN25-125

DN150-250

DN300-500

ISO 5211 Top Flange

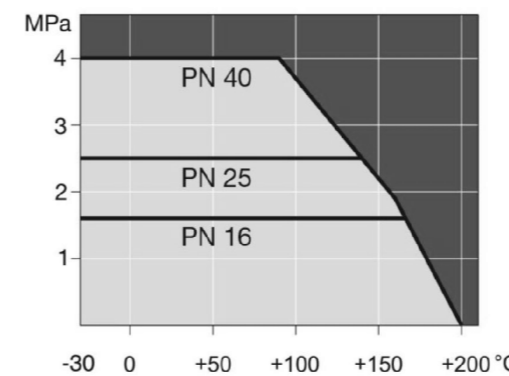


Materials

Body: P235GH (1.0345)
 Ball: X5CrNi18-10 (1.4301)
 Stem: X8CrNiS18-9 (1.4305)
 Top of stem: X5CrNi18-10 (1.4301)
 Stem seals: FPM
 Ball seals: PTFE+C

Operation: with T-key or portable planet gear. We recommend manual gear operation for sizes DN150 and larger.

Operating conditions: -30°C - +200°C.
 Below 0°C contact manufacturer.
 Not for steam.



DN	PN	Product No.	D	D1	D2	D3	H1	H3	L	S	HEX1	HEX2	kg
25	40	234666	25	33,7	60,3	33,7	388	340,5	260	2,6	19	-	3,5
32	40	234667	32	42,4	70,0	33,7	403	350,0	260	2,6	19	-	3,5
40	40	234668	40	48,3	88,9	33,7	410	347,0	300	2,6	19	-	4,5
50	25	234669	50	60,3	101,6	42,4	414	349,0	300	2,9	19	-	6,0
65	25	234670	65	76,1	121,0	42,4	427	349,0	300	2,9	19	-	7,0
80	25	234671	80	88,9	146,0	60,3	450	354,5	325	3,2	27	-	12,0
100	25	234672	100	114,3	177,8	60,3	455	343,5	325	4,0	27	-	20,0
125	25	234673	125	139,7	219,1	60,3	455	343,5	350	4,0	27	-	23,0
150	25	234674	150	168,3	273,0	76,1	543	350,0	400	5,0	50	90	60,0
200	25	234676	200	219,1	355,6	88,9	584	350,0	530	5,0	50	90	101,0
250	25	234677	250	273,0	457,0	88,9	697	350,0	550	5,0	50	90	141,0

DN	PN	Product No.	D	D1	D2	D3	D4	H1	H3	H top	L	S	ISO 5211	Key	kg
300	25	23469705	290	323,9	508	101,6	50	604	330	80	686	5,6	F16	A-14x9-80	165
350	25	23469805	340	355,6	610	114,3	70	680	350	110	762	6,3	F25	A-20x12-100	308
400	25	23469905	390	406	660	139,7	90	720	350	115	1100	7,1	F30	A-25x14-100	589
500	25	23470005	489	508	813	193,7	90	797	350	115	970	7,1	F30	A-25x14-100	988

Tolerances	Scale	Description
		Main Dimensions for St Ball Valves DN25-500 W/W
Project		Long stem, Full Bore
Drawn by TAL	<p>VEXVE OY Pajakatu 11 FI-38200 SASTAMALA FINLAND Tel. +358 10 7340 800 www.vexve.com</p>	Drawing number 234668-234700 Rev
Drawn date 29.10.2015		Product number
Appd by. TT		234668-234700
Appd date 29.10.2015		